



# Floor/Ceiling, Parallel Chord Truss

REFERENCE: 1" FIRM-FILL® BRAND GYPSUM CONCRETE PLUS 1/4" (6MM) FIRM-FILL® SCM-250

## PRODUCT ASSEMBLY

### 1. Hacker TopCoat®SP

An acrylic-based, film forming surface preparation agent.

### 2. (a) FIRM-FILL® Gypsum Concrete

Has compressive strengths from 1200-2000 psi (ASTM C472).

#### (b) FIRM-FILL®2010+

Has compressive strengths from 2000-3200 psi (ASTM C472).

#### (c) FIRM-FILL®3310+

Has compressive strengths from 3000-4250 psi (ASTM C472).

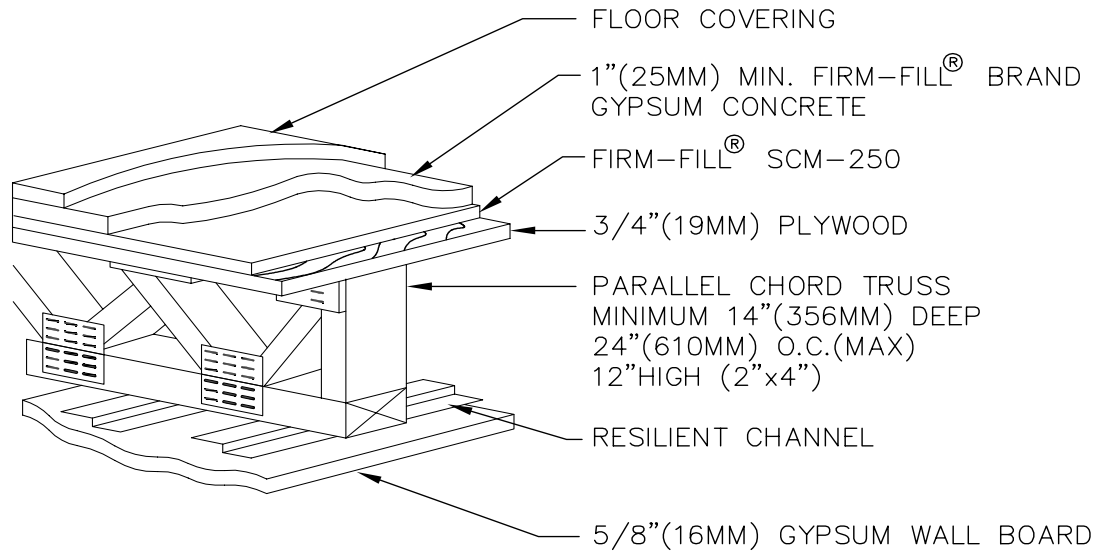
### 3. Hacker Floor Primer

A rewettable latex primer that is diluted 4:1

#### Note

Some installation methods and components are not referenced. Please consult all approved resources to ensure a complete assembly.

When FIRM-FILL® Brand Gypsum Concretes are installed over open web, deflection may not exceed L/360. There is a risk of higher strength materials (over 3,000 psi) cracking due to differential movement. The higher the floor, the more differential movement is to be expected.



**When installed over open web, 1" (25mm) FIRM-FILL® Brand Gypsum Concrete and 1/4" (6mm) FIRM-FILL® SCM-250 achieve excellent fire and sound ratings, while providing a superior crack-resistant surface for the installation of finished floor coverings.**

### Parallel Chord Truss

1 hr	w/ Insulation and Resilient Channel	L528, L546, L558, L563, L574, L585, L592, M503, M508
1 hr	w/ Resilient Channel	L528, L534
1 hr	w/ Resilient Channel & U.S. Greenfiber	L521
1 hr	w/ Resilient Channel and Insulation (or Loose Fill Material)	L550
1 hr	w/ Kinetics Ceiling Hangers	L583
1 hr	Direct Attached Drywall	L529, L542
2 hr	w/ Three (3), or more, Layers of Drywall	L556, M503

**HACKER INDUSTRIES, INC.**  
1600 Newport Center Drive  
Newport Beach, CA 92660

**PHONE**  
(949) 729-3101

**WEB**  
www.hackerindustries.com  
info@hackerindustries.com