

SUBMITTAL FORM

Firm-Fill® Sound Control Mats

Products

Firm-Fill® SCM-125, Firm-Fill® SCM-250
 Firm-Fill® SCM-400, Firm-Fill® SCM-750
 Firm-Fill® Isolation Strip, Sealer Tape


Product Description

Easily installed with Firm-Fill® Gypsum Floor Underlayments by trained, Licensed Applicators of Hacker Industries, Inc., Firm-Fill® SCM-125, SCM-250, SCM-400 and SCM-750 are random filament, entangled mesh, sound control mats made from virgin polypropylene which control quality and consistency. Designed to limit impact noise between floors, they work in conjunction with Firm-Fill® Gypsum Concrete Underlayments to dramatically improve STC/IIC ratings. With thicknesses ranging from 1/8" (3mm) up to 3/4" (19mm), Firm-Fill® SCM can work on any project. See floor/ceiling assembly drawings below.

PRODUCT DATA	SCM-125	SCM-250	SCM-400	SCM-750
Thickness	1/8" / (3 mm)	1/4" / (6 mm)	3/8" / (10 mm)	3/4" / (19 mm)
Core Color (for job site quality control)	Blue	Red	Purple	Green

Product Benefits

- Color coded to assure the correct thickness is installed on your project
- Meets latest IBC codes, ICC-ES ESR 3386, IAPMO ER-474 and HUD 1255e
- Cost effective way to improve IIC ratings
- Efficient in both wooden frame construction and concrete structures
- Minimal deflection, and no creep or long term degradation; Robinson wheel tested
- Offered in various thicknesses to meet acoustical requirements for any project
- Third-party tested in a laboratory setting per ASTM C177, E84, E90, E492 and E2179
- Class A fire-rated product

Test Data

Published acoustical and fire system tests were conducted under controlled laboratory or field conditions and reflect results applicable only to those specific assemblies.

Limitations

- Shall not be used in exterior locations, below grade, or where continuous exposure to moisture is likely.
- Shall not be used without a Firm-Fill® Brand Gypsum Concrete topping.
- Structure shall be designed so that deflection does not exceed L/360 live or dead load.
- Do not use mechanical fasteners to install Firm-Fill® SCM
- Firm-Fill® SCM shall always be installed with a perimeter isolation strip.
- Firm-Fill® SCM is one component of an effective sound control system. Care must be taken in the installation of all components to ensure design performance.

WARRANTY

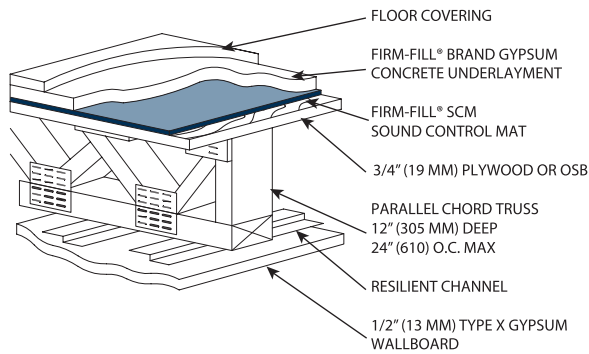
SUBJECT TO EXPRESS WARRANTY STATED ON HACKER INDUSTRIES, INC.'S WEBSITE.

Submittal Approvals

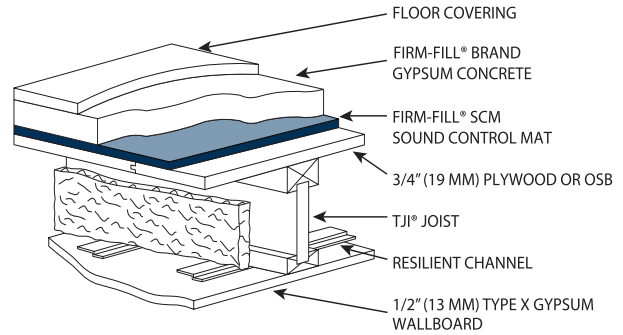
Project Name: _____
 Contractor/Architect: _____
 Date: _____

Floor Systems

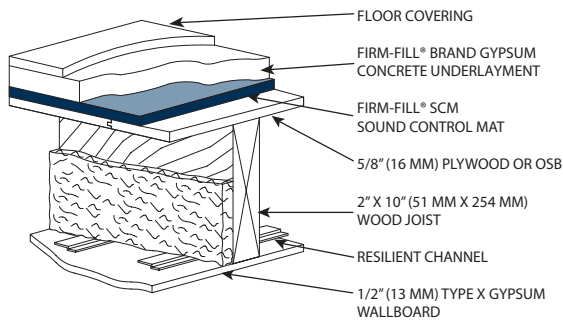
OPEN WEB TRUSS



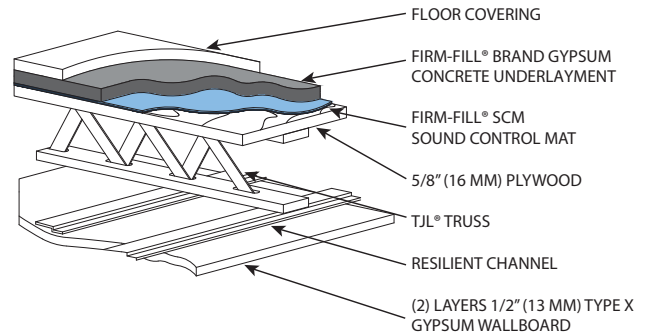
TJI® JOIST



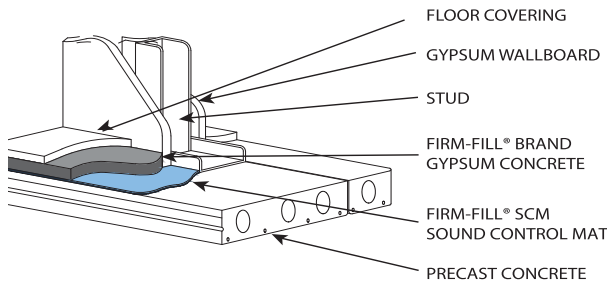
2x10 DIMENSIONAL JOIST



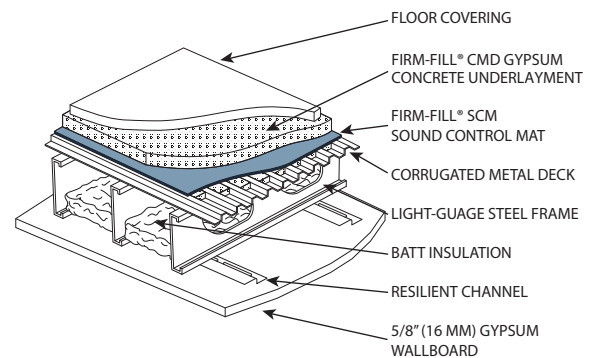
TJL® TRUSS



CONCRETE



CORRUGATED METAL DECK



PRODUCT INFORMATION

See www.HackerIndustries.com for current recommended product specifications and literature.

Firm-Fill® SCM, for use with Firm-Fill® Gypsum Concrete Underlays, is but one component in an overall floor/ceiling assembly. Its performance is affected by every other component and the likelihood of achieving code compliance is contingent upon many other trades, including framers, plumbers and drywall contractors. Developers and general contractors are responsible for building properly and testing field performance as soon as

possible in order to ensure the reliability of the project.

WARNING

Laboratory tests are not a guarantee of field performance because of the issues noted above and many other design and/or construction errors that may occur. Please consult a professional acoustical consultant to ensure plans are proper and that the floor/ceiling assembly can perform to expectations.

TRADEMARKS

Firm-Fill®, Gyp-Span®, Let Our Products Floor You™ and the associated logos are trademarks of Hacker Industries, Inc.

LEED® is a registered trademark of the U.S. Green Building Council.

NOTICE

HACKER INDUSTRIES, INC. SHALL NOT BE LIABLE FOR INCIDENTAL OR CONSEQUENTIAL DAMAGES, DIRECTLY OR INDIRECTLY SUSTAINED, NOR FOR ANY LOSS CAUSED BY APPLICATION OF THESE GOODS NOT IN ACCORDANCE WITH CURRENT PRINTED INSTRUCTION OR FOR OTHER THAN THE INTENDED USE. HACKER INDUSTRIES, INC.'S LIABILITY IS EXPRESSLY LIMITED TO REPLACEMENT OF DEFECTIVE GOODS. ANY CLAIM SHALL BE

DEEMED WAIVED UNLESS MADE IN WRITING TO US WITHIN 30 DAYS FROM DATE IT WAS, OR REASONABLY SHOULD HAVE BEEN, DISCOVERED.

SAFETY FIRST

Follow good safety/industrial hygiene practices during installation. Wear appropriate personal protective equipment. Read specs, MSDS and literature prior to specification and installation.

© 6/2018 Hacker Industries, Inc.