



Floor/Ceiling, I-Joist

REFERENCE: 0.75" FIRM-FILL® BRAND GYPSUM CONCRETE PLUS FIRM-FILL® SCM-125

PRODUCT ASSEMBLY

1. Hacker TopCoat®SP

An acrylic-based, film forming surface preparation agent.

2. (a) FIRM-FILL® Gypsum Concrete

Has compressive strengths from 1200-2000 psi (ASTM C472).

(b) FIRM-FILL®2010

Has compressive strengths from 1950-2750 psi (ASTM C472).

(c) FIRM-FILL®3310

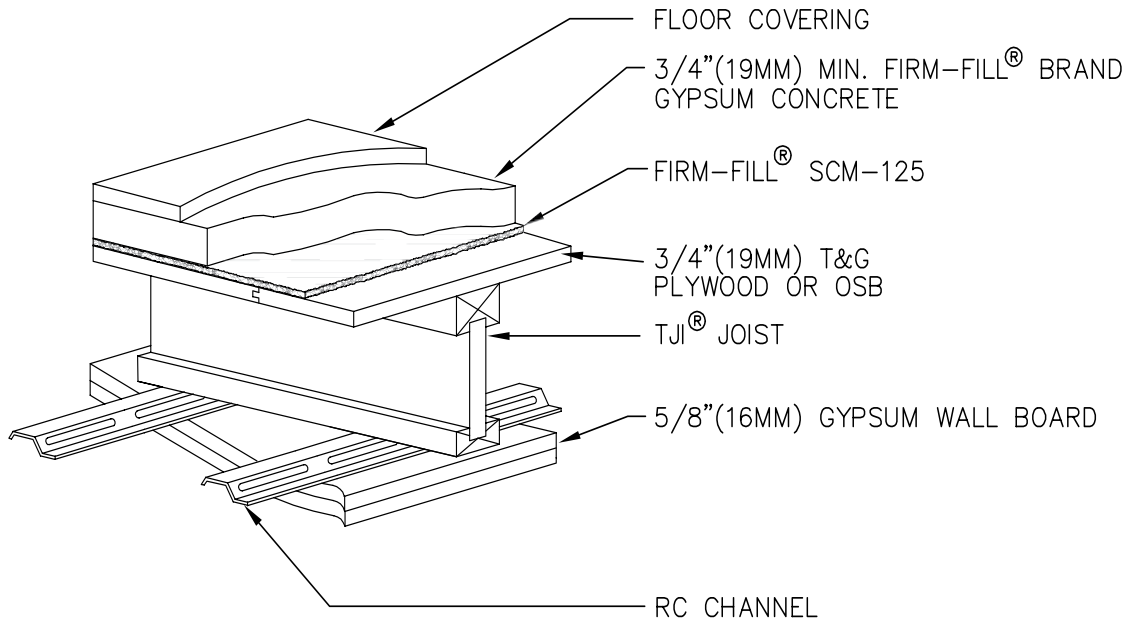
Has compressive strengths from 2000-3350 psi (ASTM C472).

3. Hacker Floor Primer

A rewettable latex primer that is diluted 4:1

Note

Some installation methods and components are not referenced. Please consult all approved resources to ensure a complete assembly.



When installed over an I-Joist, 0.75" (19mm) FIRM-FILL® Brand Gypsum Concrete and 1/8" (3mm) FIRM-FILL® SCM-125 achieve excellent fire and sound ratings while providing a superior crack-resistant surface for the installation of finished floor coverings.

I-Joist

1 hr	w/ Insulation & Resilient Channel	L570, M506
1 hr	w/ Resilient Channel	L518, L547
1 hr	w/ Simpson Strong Tie Clips	L530
1 hr	w/ Kinetics Ceiling Hangers	L583
1 hr	w/ Three (3) Layers of Drywall	L538, L556
1 hr	w/ U.S. Greenfiber Sprayed Insulation	M512

HACKER INDUSTRIES, INC.
1600 Newport Center Drive
Newport Beach, CA 92660

PHONE
(949) 729-3101

WEB
www.hackerindustries.com
info@hackerindustries.com